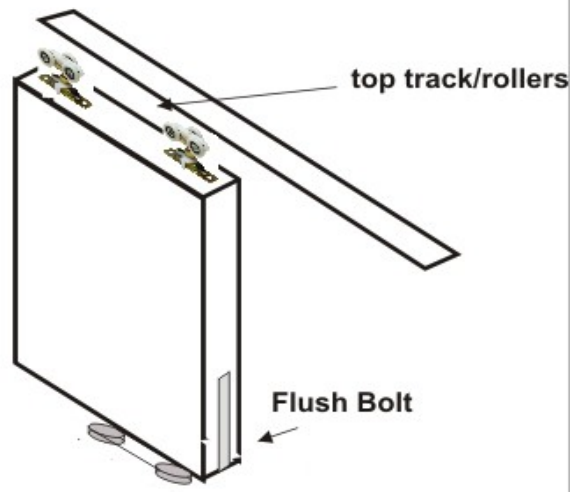
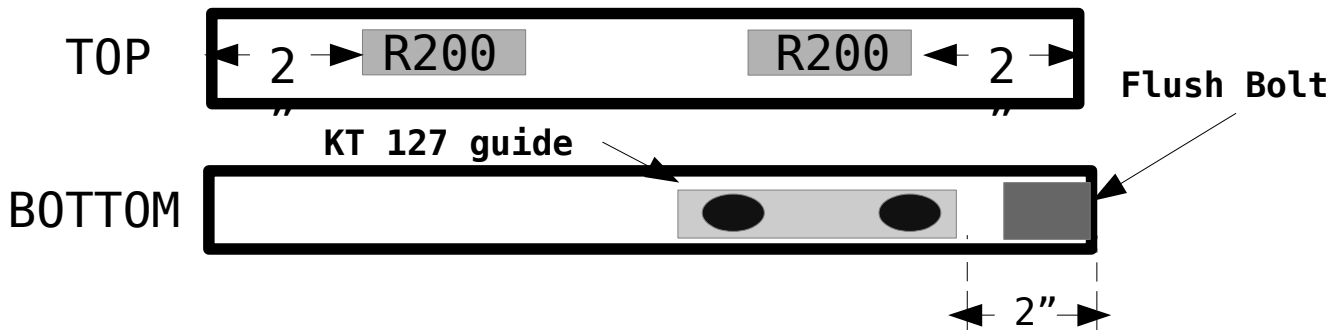


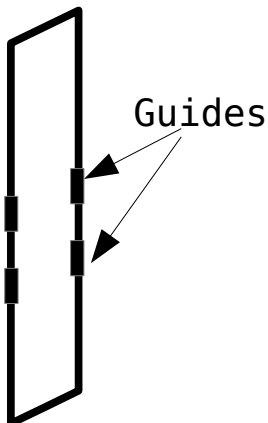
Top Door Prep



2 rollers mounted to top of door



- Level opening and attach top track Leaving a 2" gap from end of track to the jamb – so you can slide in the rollers
- Attach 2 R200 brackets to top of top door
- Prep Edge of door for and install Flush Bolt
- Attach KT 127 roller guide to the bottom of the top door
- Attach 1513 bumpers to back of door so to hit back of pocket to
- align door with trimmed pocket



- Install guides at opening
- Wood stop at Jamb for support

